

Fig. Left:Side view Right: Back view (Unit:mm)

Legend:

1. Front faceplate.(Material: aluminum, Thickness:5mm, Bushed and oxidation)
2. Back cup. (Material: ABS)
3. Input connectors(Material: Copper).

Ps:

(1) Front faceplate has four installation holes, and the hole is the **countersink** type.:

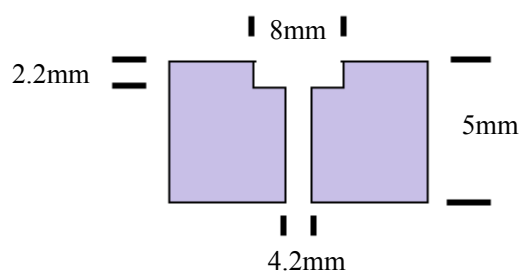


Fig. countersink detailed view(enlarged for readability, the scale is not 1:1, the annotation is correct)

2) The front faceplate is round corner rectangle(Radius = 8.0mm).

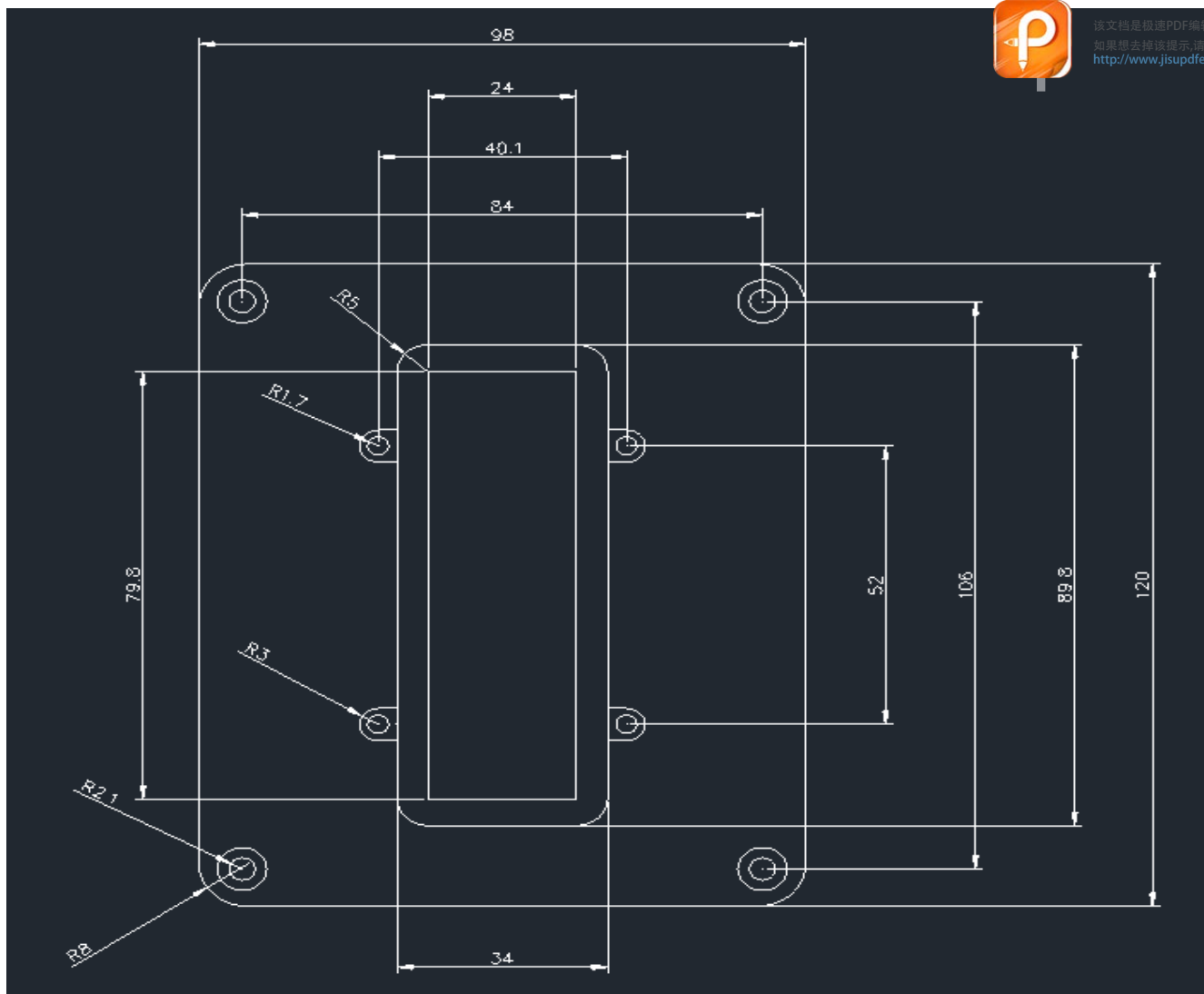


Fig. CQ76B Faceplate

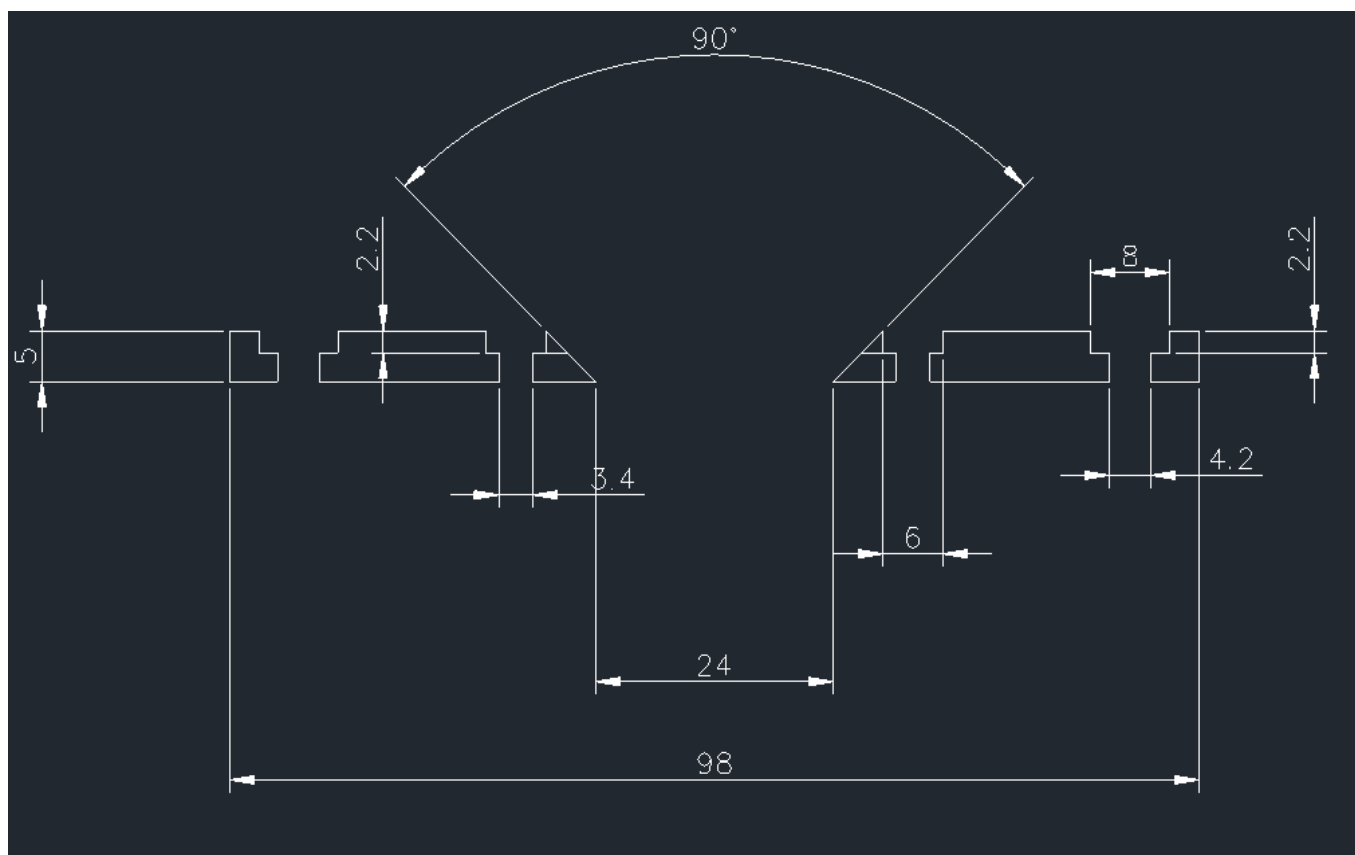


Fig. Section View